

**CADET™ ELONGATED TOILET**

**2898.012**

- Vitreous china
- Low-consumption (6.0 Lpf/1.6 gpf)
- Elongated siphon action jetted bowl
- Fully glazed 2" trapway
- AquaForce flushing technology
- Close-coupled tank with raised lip detail on tank cover
- Color-matched trip lever
- Speed Connect™ tank/bowl coupling system
- Sanitary bar on bowl
- 2 bolt caps
- 100% factory flush tested

**3459.016 Bowl**

**4112.016 Tank**



**Nominal Dimensions:**

749 x 495 x 762mm (29-1/2" x 19-1/2" x 30")

Fixture only, seat and supply by others

**Alternate Tank Configurations Available:**

- 4112.300** Tank complete with chrome all metal trip lever
- 4112.500** Tank complete with Aquagard liner
- 4112.600** Tank complete with tank cover locking device
- 4112.700** Tank complete with Aquagard liner and tank cover locking device
- 4112.800** Tank complete with trip lever located on right side
- 4112.900** Tank complete with tank cover device and trip lever located on right side

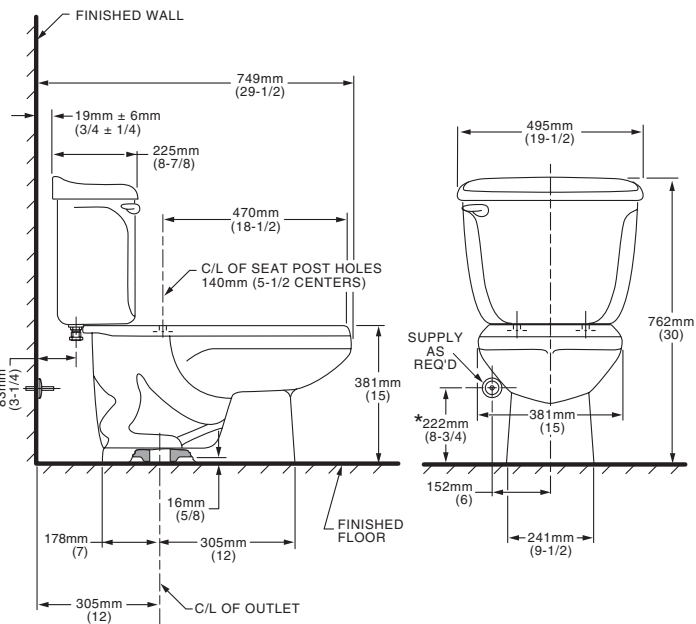
**Compliance Certifications -**

**Meets or Exceeds the Following Specifications:**

- ASME A112.19.2M for Vitreous China Fixtures - includes Flush Performance, Ball Pass Diameter, Trap Seal Depth and all Dimensions

**To Be Specified:**

- Color:
- Seat: American Standard #5324.019 "Rise and Shine" solid plastic closed front, seat with cover.
- Seat: American Standard #5311.012 "Laurel" molded closed front seat with cover.
- Alternate Seat:
- Supply with stop:



**NOTES:**

THIS COMBINATION IS DESIGNED TO ROUGH-IN AT A MINIMUM DIMENSION OF 305MM (12") FROM FINISHED WALL TO C/L OF OUTLET.

\* DIMENSION SHOWN FOR LOCATION OF SUPPLY IS SUGGESTED. SUPPLY NOT INCLUDED WITH FIXTURE AND MUST BE ORDERED SEPARATELY.

**IMPORTANT:** Dimensions of fixtures are nominal and may vary within the range of tolerance established by ANSI Standard A112.19.2. These measurements are subject to change or cancellation. No responsibility is assumed for use of superseded or voided pages.