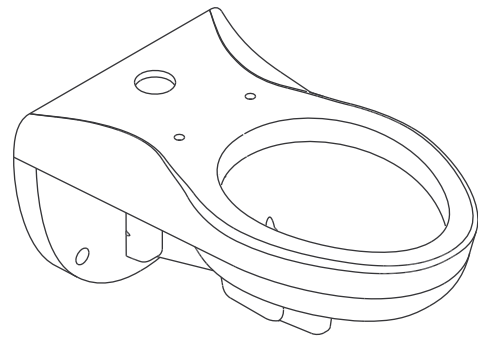


Features

- Vitreous china
- Elongated bowl
- Siphon jet
- Wall-mount
- With bedpan lugs (-L)
- 1-1/2" top spud
- 1.28 gpf (4.8 lpf) or 1.6 gpf (6 lpf) depending on flushometer specified
- 10-1/2" (267 mm) x 9" (229 mm) water area
- 26-1/2" (673 mm) x 16-1/2" (419 mm) x 13-1/4" (337 mm)
- Will replace K-4330 and K-4330-L bowls

BOWL K-4325

ADA	TAS
CSA B651	OBC



Codes/Standards Applicable

Specified model meets or exceeds the following:

- ADA
- ICC/ANSI A117.1
- TAS
- CSA B651
- OBC
- ASME A112.19.2/CSA B45.1
- Energy Policy Act of 1992

Colors/Finishes

- 0: White
- CP: Polished Chrome
- Other: Refer to Price Book for additional colors/finishes

Specified Model

Model	Description	Colors/Finishes	
K-4325	Bowl – elongated	<input type="checkbox"/> 0	<input type="checkbox"/> Other _____
K-4325-L	Bowl – elongated, with bedpan lugs	<input type="checkbox"/> 0	<input type="checkbox"/> Other _____

Recommended Accessories				
K-4731-C	Stronghold® open-front elongated seat	<input type="checkbox"/> 0	<input type="checkbox"/> Other _____	
K-4731-SC	Stronghold open-front elongated seat with integrated handle	<input type="checkbox"/> 0	<input type="checkbox"/> Other _____	
K-4731-GC	Stronghold Quiet-Close™ open-front elongated seat	<input type="checkbox"/> 0	<input type="checkbox"/> Other _____	
K-10673	WAVE exposed toilet flushometer – 1.28 gpf (4.8 lpf)			<input type="checkbox"/> CP
K-10956	Touchless DC toilet flushometer – 1.28 gpf (4.8 lpf)			<input type="checkbox"/> CP
K-13517	Manual toilet flushometer – 1.28 gpf (4.8 lpf)			<input type="checkbox"/> CP
K-10674	WAVE exposed toilet flushometer - 1.6 gpf (6 lpf)			<input type="checkbox"/> CP
K-10957	Touchless DC toilet flushometer - 1.6 gpf (6 lpf)			<input type="checkbox"/> CP
K-13516	Manual toilet flushometer - 1.6 gpf (6 lpf)			<input type="checkbox"/> CP

Product Specification

The elongated bowl shall be made of vitreous china. Bowl shall be 26-1/2" (673 mm) in length, 16-1/2" (419 mm) in width, and 13-1/4" (337 mm) in height. The bowl shall be wall-mount with a 1-1/2" top spud. Bowl shall have siphon jet. Bowl shall have bedpan lugs (-L). Bowl shall feature 1.28 gpf (4.8 lpf) or 1.6 gpf (6 lpf) depending on flushometer specified. Bowl shall have 10-1/2" (267 mm) x 9" (229 mm) water area. Bowl shall be Kohler Model K-4325-_____ or K-4325-L-_____.

Technical Information

Fixture:	
Configuration	Top spud, elongated
Water per flush	1.28 gal (4.8 L) or 1.6 gal (6 L)*
Spud size	1-1/2"
Passageway	2-1/8" (54 mm)
Water area	10-1/2" (267 mm) x 9" (229 mm)
Water depth from rim	5-1/4" (133 mm)
Seat post hole centers	5-1/2" (140 mm)
Minimum static pressure required	35 psi (241.3 kPa)
Maximum static pressure	80 psi (551.6 kPa)
Minimum flowing pressure required	25 psi (172.4 kPa)
Required supply minimum	25 gal/min (94.6 l/min)
* Based upon use of a 1.28 gal (4.8 L) or 1.6 gal (6 L) flushometer valve.	

Included component: Spud

18357

Installation Notes

Install this product according to the installation guide. Refer to manufacturer's instructions and local codes for flushometer requirements.

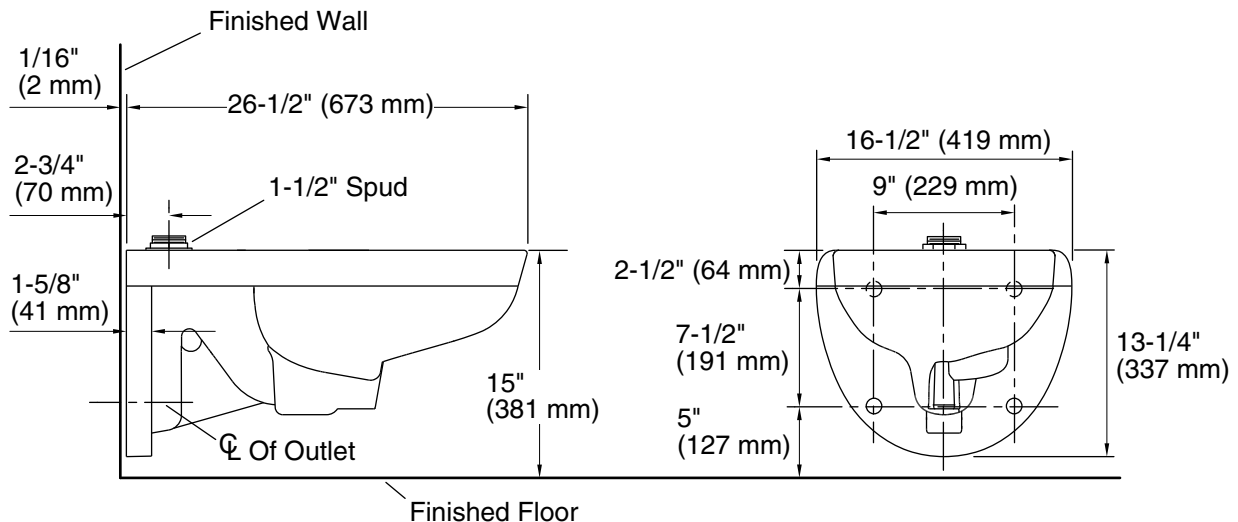
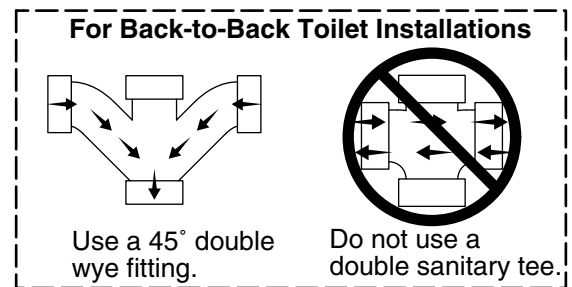
For back-to-back toilet installations: Use only a 45° double wye fitting.

Will comply with the American Disabilities Act (**ADA**) when installed per the requirements of the Accessibility Guidelines, Section 604 Water Closets, of the Act. The Model Plumbing Codes require the installation of elongated open-front toilet seats in public bathrooms.

For **TAS** compliance the required seating height with the toilet seat installed is: Adults – 17" (432 mm) to 19" (483 mm)
Children (Elementary Grade Levels 6 through 8 or 9) – 15" (381 mm) to 17" (432 mm)

Will comply with **CSA B651** when installed per Clause 4.3.6 of the standard.

Will comply with **OBC** Barrier Free requirements when installed per Clause 3.8.3.8 and 3.8.3.9.



Product Diagram