



**T&S BRASS AND BRONZE WORKS, INC.**  
 2 Saddleback Cove / P.O. Box 1088  
 Travelers Rest, SC 29690



REG. #A2601  
 ISO #9001

Model No.  
**B-0100**

Item No.

Travelers Rest, SC: 800-476-4103 Simi Valley, CA: 800-423-0150 Fax: 864-834-3518 www.tsbrass.com

This Space for Architect/Engineer Approval

Job Name \_\_\_\_\_ Date \_\_\_\_\_

Model Specified \_\_\_\_\_ Quantity \_\_\_\_\_

Customer/Wholesaler \_\_\_\_\_

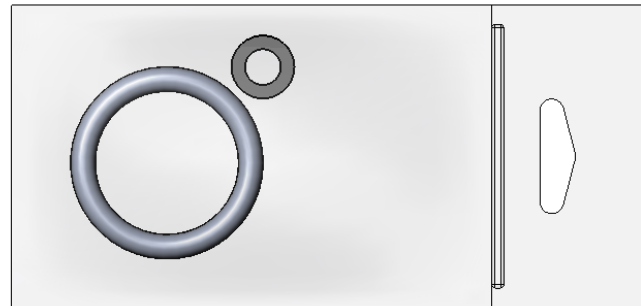
Contractor \_\_\_\_\_

Architect/Engineer \_\_\_\_\_

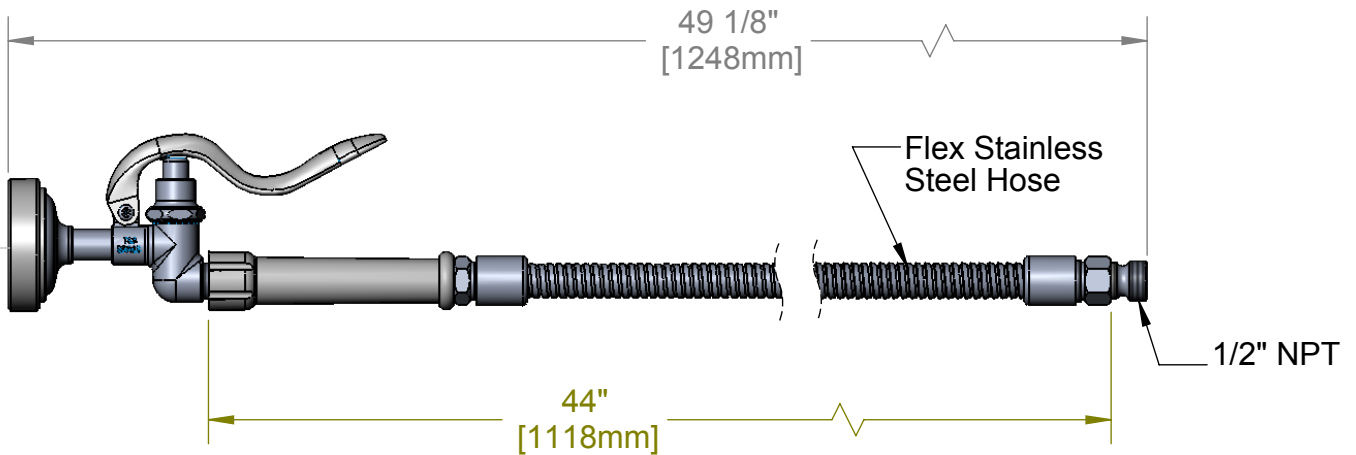
**EPAct2005 COMPLIANT**



Spray Face



Furnished w/ Hose Washer & Hold Down Ring



Note: Standard Flex Hose Is 44" Long  
 Any Length Is Available

Product Specifications:

**B-0107 Spray Valve w/ B-0044-H Flex Hose**

Drawn KJG	Checked DHL	Approved JHB
Scale: 1:4		Date: 11/15/07



**T&S BRASS AND BRONZE WORKS, INC.**  
 2 Saddleback Cove / P.O. Box 1088  
 Travelers Rest, SC 29690



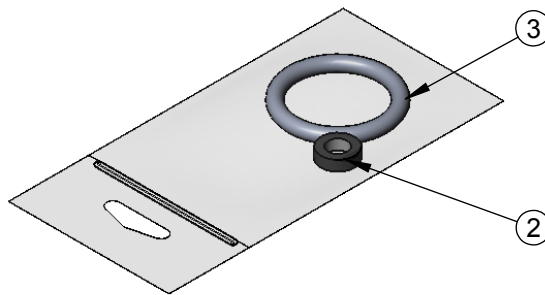
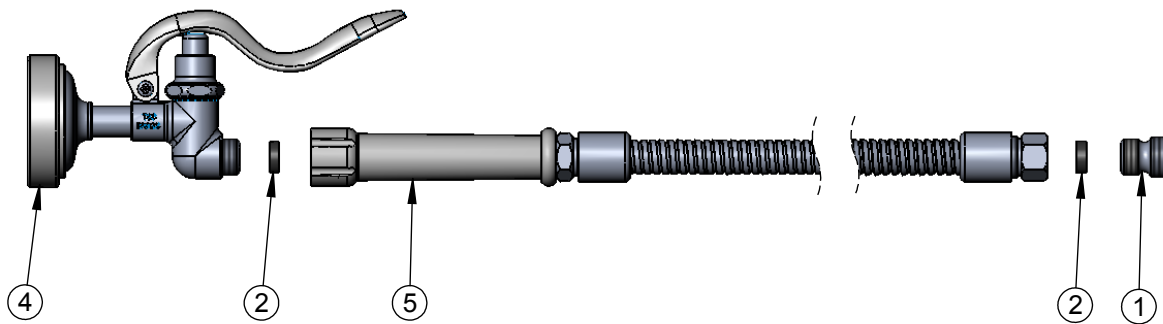
REG. #A2601  
 ISO #9001

Model No.  
**B-0100**

Item No.

Travelers Rest, SC: 800-476-4103 Simi Valley, CA: 800-423-0150 Fax: 864-834-3518 www.tsbrass.com

ITEM NO.	SALES NO.	DESCRIPTION
1	000547-25	Adapter
2	010476-45	#27 Washer
3	000907-45	Ring, Spray Valve Hold Down
4	B-0107	Spray Valve Asm
5	B-0044-H	Stainless Steel Hose



Product Specifications:

B-0107 Spray Valve w/ B-0044-H Flex Hose

Drawn KJG	Checked DHL	Approved JHB
Scale: None		Date: 11/15/07