



**T&S BRASS AND BRONZE WORKS, INC.**

2 Saddleback Cove / P.O. Box 1088  
Travelers Rest, SC 29690



REG. #A2601  
ISO #9001

Model No.

**B-0133-B**

Item No.

Travelers Rest, SC: 800-476-4103 Simi Valley, CA: 800-423-0150 Fax: 864-834-3518 www.tsbrass.com

This Space for Architect/Engineer Approval

Job Name \_\_\_\_\_ Date \_\_\_\_\_

Model Specified \_\_\_\_\_ Quantity \_\_\_\_\_

Customer/Wholesaler \_\_\_\_\_

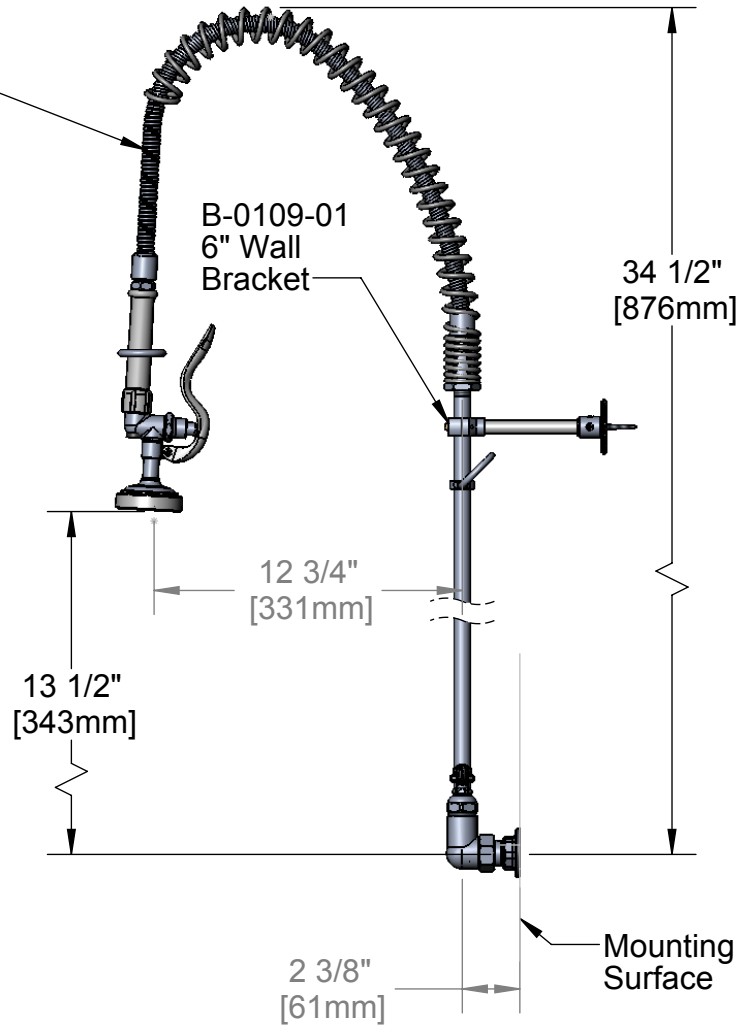
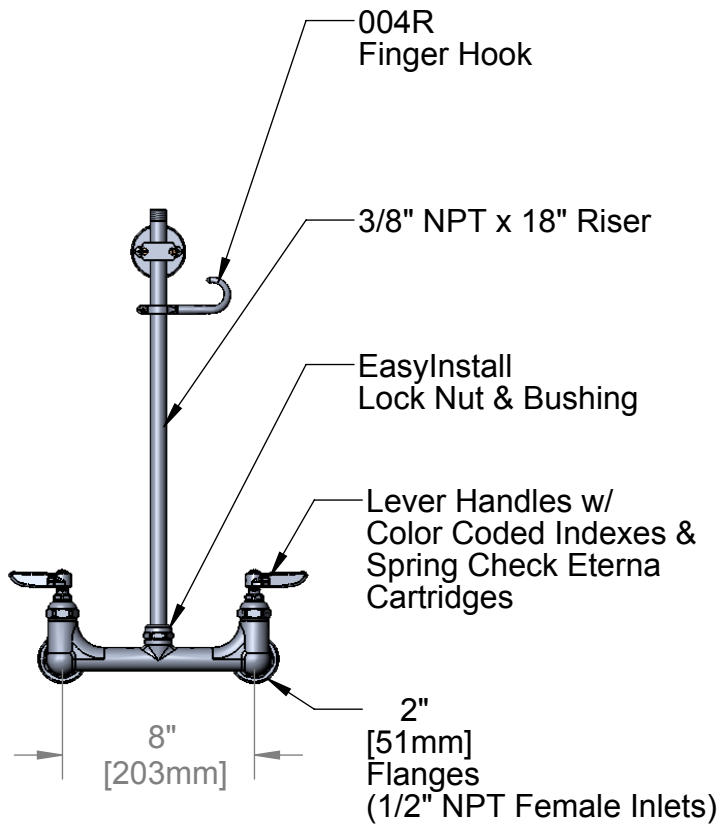
Contractor \_\_\_\_\_

Architect/Engineer \_\_\_\_\_

**EPAct 2005 Compliant**



Hose, Spring Body,  
Overhead Spring &  
Spray Valve  
(Pre-Assembled)



Product Specifications:

**EasyInstall Pre-Rinse Unit:**  
8" c/c Wall Mount Mixing Faucet, 1/2" NPT Female Inlets,  
18" Riser, Overhead Spring, 44" Flex Hose, B-0107 Spray Valve  
& Bracket

Drawn <b>KJG</b>	Checked <b>JRM</b>	Approved <b>JHB</b>
Scale: <b>1:8</b>		Date: <b>12/13/07</b>



**T&S BRASS AND BRONZE WORKS, INC.**

2 Saddleback Cove / P.O. Box 1088  
Travelers Rest, SC 29690



REG. #A2601  
ISO #9001

Model No.

**B-0133-B**

Item No.

Travelers Rest, SC: 800-476-4103 Simi Valley, CA: 800-423-0150 Fax: 864-834-3518 www.tsbrass.com



ITEM NO.	SALES NO.	DESCRIPTION
1	B-0107	Spray Valve Asm
2	012E	#27 Washer
3	000907-45	Spray Valve Hold Down Ring
4	002987-40	Grip Handle Assembly
5	010475-45	Washer, B-0100 Hose Barrel
6	B-0044-H2A	44" Flex Hose Assembly, Less Handle
7	001661-45	Red Index-HW
8	002712-40	Spindle Asm, Eterna Hot
9	000888-45	EasyInstall Overhead Spring
10	000821-25	Spring Body
11	B-0109-01	6" Wall Bracket Assembly
12	004R	Finger Hook Assembly
13	000369-40	3/8" NPT x 18" Long Riser
14	000922-45	Lever Handle Screw
15	001660-45	Blue Index-CW
16	001638-45	Lever Handle
17	002711-40	Spindle Asm, Eterna Cold
18	014200-45	Star Washer, Anti- Rotation
19	001019-45	Washer, Coupling Nut
20	00AA	Flange Assembly

Product Specifications:

EasyInstall Pre-Rinse Unit:  
8" c/c Wall Mount Mixing Faucet, 1/2" NPT Female Inlets,  
18" Riser, Overhead Spring, 44" Flex Hose, B-0107 Spray Valve  
& Bracket

Drawn KJG	Checked JRM	Approved JHB
Scale: NTS		Date: 12/13/07