

T&S BRASS AND BRONZE WORKS, INC.

2 Saddleback Cove / P.O. Box 1088
Travelers Rest, SC 29690



REG. #A2601
ISO #9001

Model No.

B-0290

Item No.

Travelers Rest, SC: 800-476-4103 • Simi Valley, CA: 800-423-0150 • Fax: 864-834-3518 • www.tsbrass.com

This Space for Architect/Engineer Approval

Job Name _____ Date _____

Model Specified _____ Quantity _____

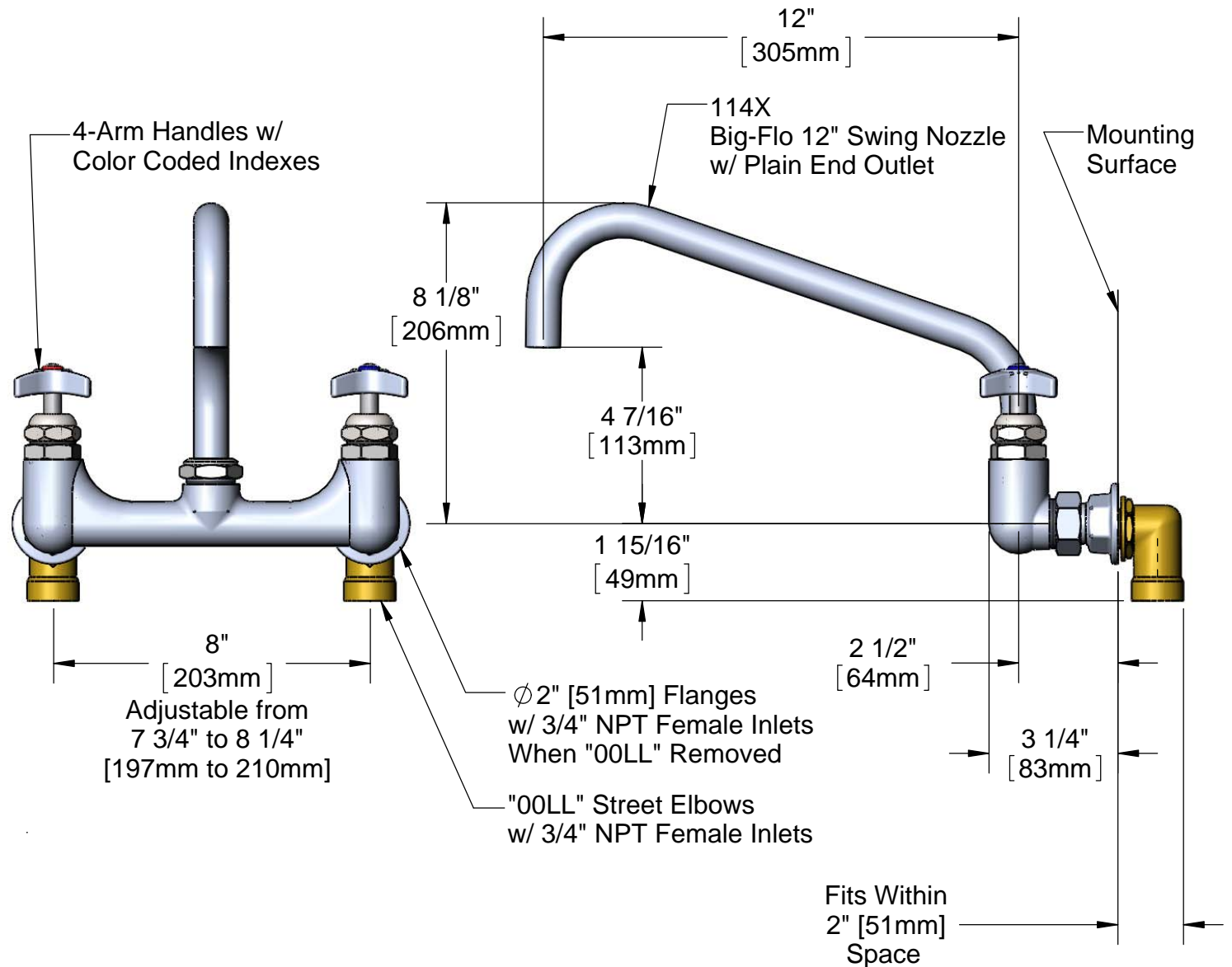
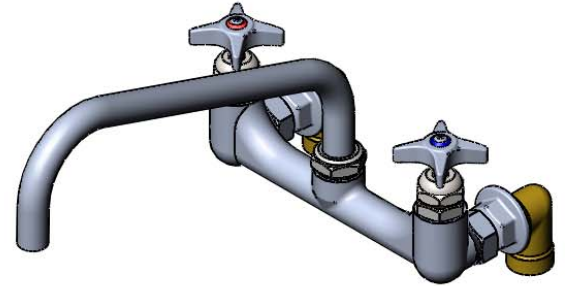
Customer/Wholesaler _____

Contractor _____

Architect/Engineer _____



ADA Compliant



Product Specifications:

Kettle & Pot Sink Mixing Faucet w/ Big-Flo 12" Swing Nozzle, 4-Arm Kitchen Handles, Color Coded Indexes & "00LL" Street Elbows (3/4")

Drawn

DHL

Checked

DMH

Approved

JHB

Scale:

1:4

Date:

07/12/11