

**T&S BRASS AND BRONZE WORKS, INC.**  
 2 SADDLEBACK COVE / P.O. BOX 1088 / TRAVELERS REST, SC 29690  
 PHONE 800-476-4103 - FAX 864- 834-3518



Model No.

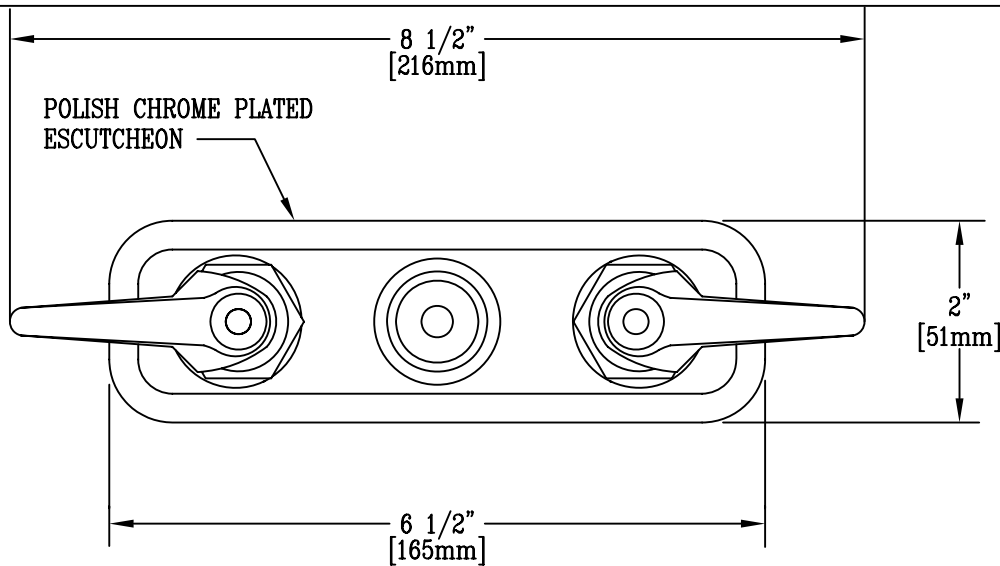
B-1100-LN

**RELIABILITY  
BUILT IN**

Job Name:

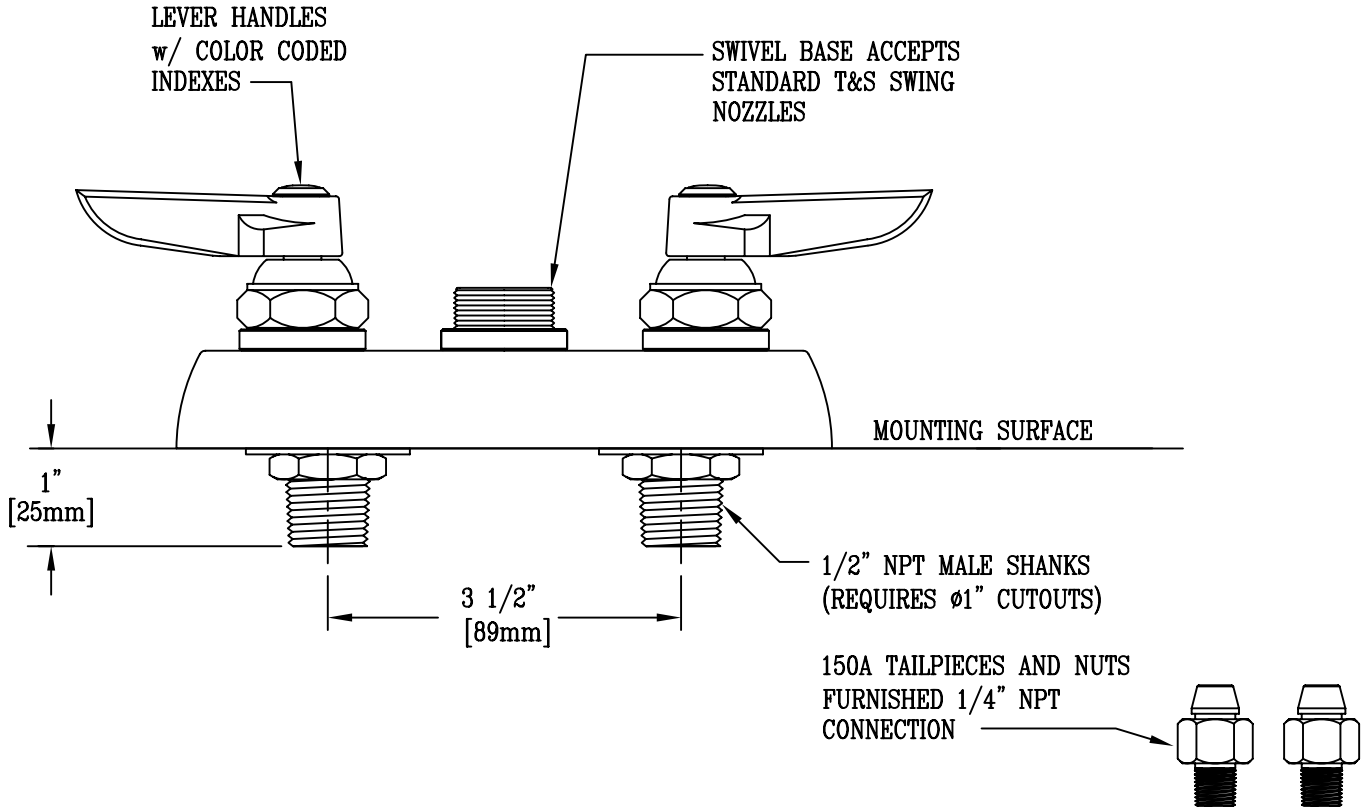
Architect/Engineer Approval:

Notes:

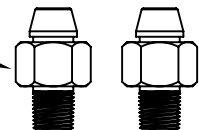


**ADA Compliant**

TOP VIEW



150A TAILPIECES AND NUTS  
 FURNISHED 1/4" NPT  
 CONNECTION



Product Description:  
 WORKBOARD FAUCET WITH 1/2" NPT MALE SHANKS,  
 3 1/2" INLET CENTERS, LESS NOZZLE, LEVER HANDLES  
 & COLOR CODED INDEXES

Drawn:  
KJG  
Approved  
JHB

Checked  
JRM

Scale:  
1 : 2  
Date:  
12/19/07