



T&S BRASS AND BRONZE WORKS, INC.

2 Saddleback Cove / P.O. Box 1088
Travelers Rest, SC 29690



REG. #A2601
ISO #9001

Model No.

B-1100

Item No.

Travelers Rest, SC: 800-476-4103 Simi Valley, CA: 800-423-0150 Fax: 864-834-3518 www.tsbrass.com

This Space for Architect/Engineer Approval

Job Name _____ Date _____

Model Specified _____ Quantity _____

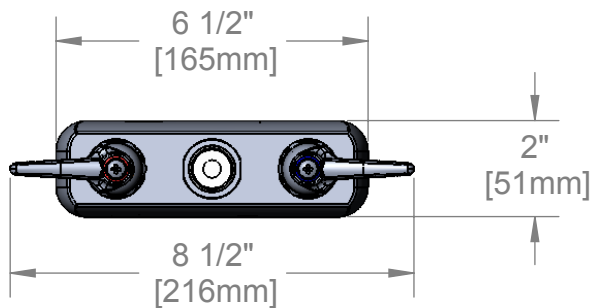
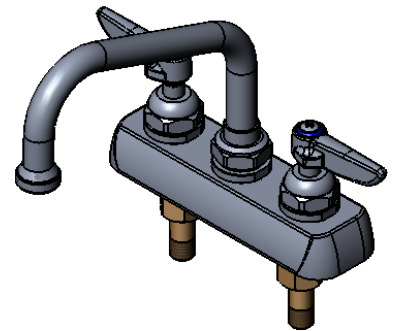
Customer/Wholesaler _____

Contractor _____

Architect/Engineer _____



ADA Compliant

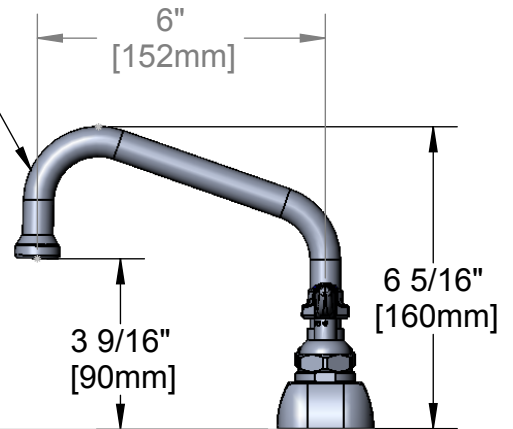
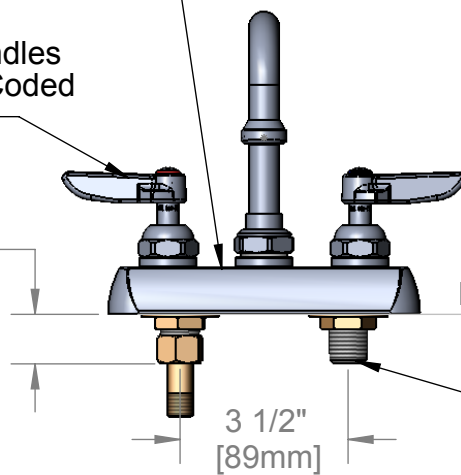


Polished Chrome Plated Escutcheon

Lever Handles w/ Color Coded Indexes

059X
6" Swing Nozzle w/
B-PT Stream Regulator

1" [25mm]



1/2" NPT Male Shanks
(Requires ϕ 1" Cutouts)

150A Tailpiece and
Nut Furnished for
1/4" NPT Connection

Product Specifications:

Workboard Faucet w/ 059X 6" Swing Nozzle, B-PT Stream Regulator, Lever Handles & 3 1/2" Inlet Centers

Drawn
KJG

Checked
JRM

Approved
JHB

Scale:

1:4

Date:

12/19/07



T&S BRASS AND BRONZE WORKS, INC.

2 Saddleback Cove / P.O. Box 1088
Travelers Rest, SC 29690



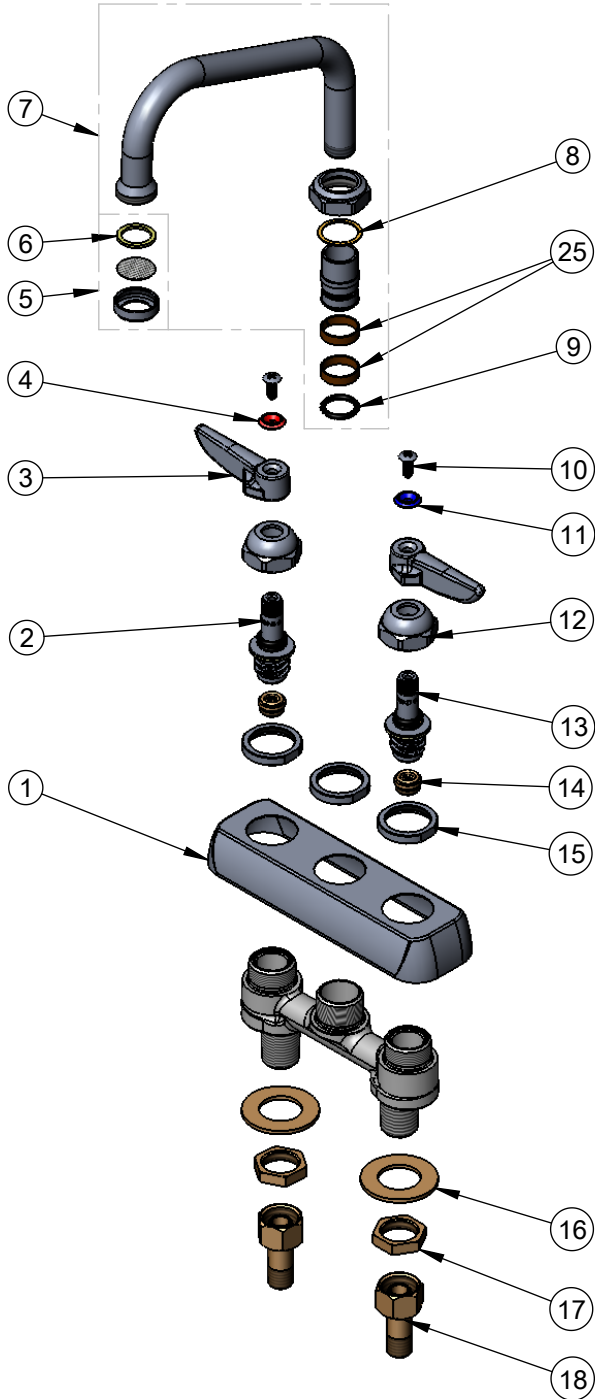
REG. #A2601
ISO #9001

Model No.

B-1100

Item No.

Travelers Rest, SC: 800-476-4103 Simi Valley, CA: 800-423-0150 Fax: 864-834-3518 www.tsbrass.com



ITEM NO.	SALES NO.	DESCRIPTION
1	001258-40	B-1110 Escutcheon
2	009753-40	B-1100 RH Spindle Assembly
3	001638-45	Lever Handle
4	001661-45	Red Index-HW
5	B-PT	Stream Regulator Assembly
6	009638-45	Washer
7	059X	6" Swing Nozzle Assembly
8	009538-45	Swivel Washer
9	001074-45	O-Ring
10	000922-45	Lever Handle Screw
11	001660-45	Blue Index-CW
12	009749-25	Bonnet Nut
13	009754-40	B-1100 LH Spindle Assembly
14	000763-20	Seat
15	000712-25	Escutcheon Lock Nut
16	000999-45	Brass Lock Washer
17	002954-45	Shank Lock Nut
18	150A	Bag of (1) Nut & (1) Tailpiece
24	011430-25	Swivel Piece
25	011429-45	Swivel Sleeves (2)

Product Specifications:

Workboard Faucet w/ 059X 6" Swing Nozzle, B-PT Stream Regulator, Lever Handles & 3 1/2" Inlet Centers

Drawn KJG	Checked JRM	Approved JHB
Scale: None		Date: 12/19/07