



T&S BRASS AND BRONZE WORKS, INC.

2 Saddleback Cove / P.O. Box 1088
Travelers Rest, SC 29690



REG. #A2601
ISO #9001

Model No.

B-1110-LN

Item No.

Travelers Rest, SC: 800-476-4103 Simi Valley, CA: 800-423-0150 Fax: 864-834-3518 www.tsbrass.com

This Space for Architect/Engineer Approval

Job Name _____ Date _____

Model Specified _____ Quantity _____

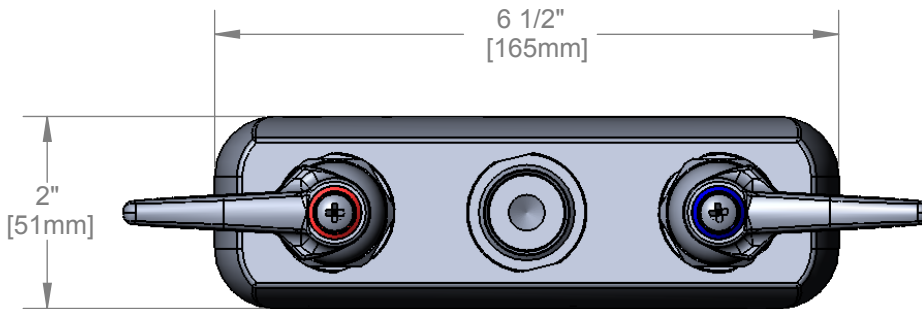
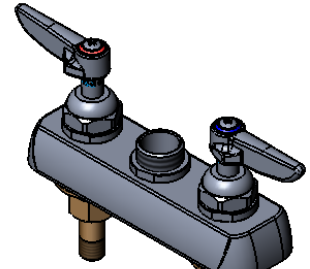
Customer/Wholesaler _____

Contractor _____

Architect/Engineer _____



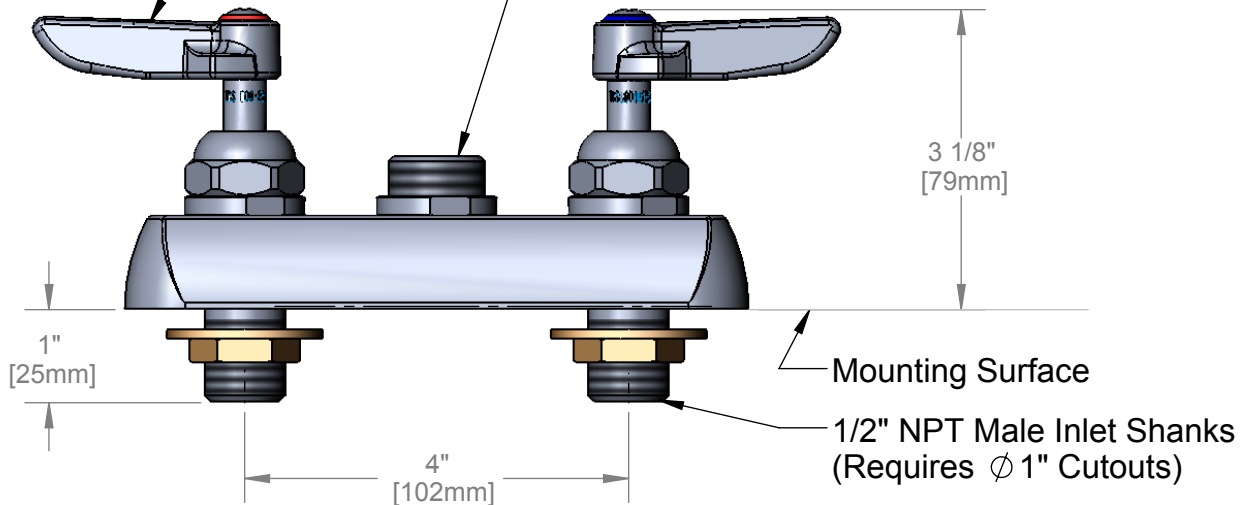
ADA Compliant



150A Tailpiece and Nut Furnished for 1/4" NPT Connection

Lever Handles w/
Color Coded Indexes

Swivel Outlet Accepts
Standard T&S Swing
Nozzles



Product Specifications:
Deck Mount Workboard Faucet w/ 1/2" NPT Male Shanks,
Less Nozzle, Lever Handles & 4" Inlet Centers

Drawn KJG	Checked JRM	Approved 12/19/07
Scale: 1:2		Date: JHB



T&S BRASS AND BRONZE WORKS, INC.

2 Saddleback Cove / P.O. Box 1088
Travelers Rest, SC 29690



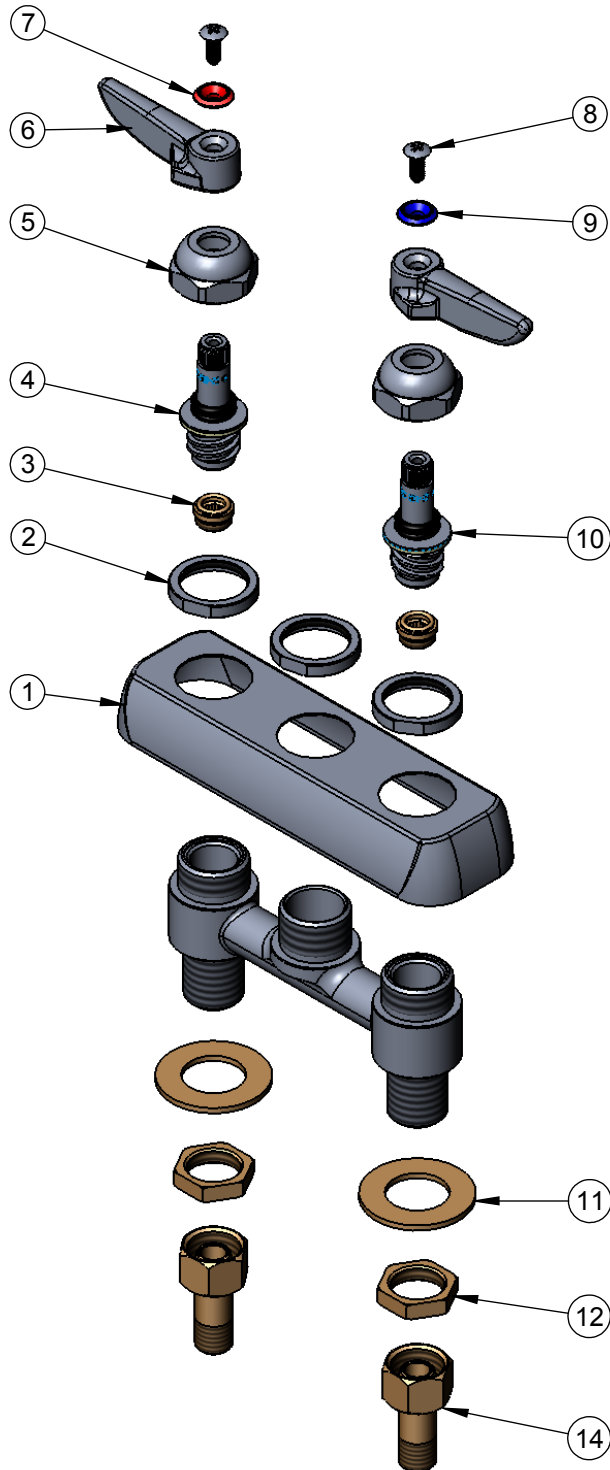
REG. #A2601
ISO #9001

Model No.

B-1110-LN

Item No.

Travelers Rest, SC: 800-476-4103 Simi Valley, CA: 800-423-0150 Fax: 864-834-3518 www.tsbrass.com



ITEM NO.	SALES NO.	DESCRIPTION
1	001258-40	B-1110 Escutcheon
2	000712-25	Escutcheon Lock Nut
3	000763-20	Seat
4	009753-40	B-1100 RH Spindle Assembly
5	009749-25	Bonnet Nut
6	001638-45	Lever Handle
7	001661-45	Red Index-HW
8	000922-45	Lever Handle Screw
9	001660-45	Blue Index-CW
10	009754-40	B-1100 LH Spindle Assembly
11	000999-45	Brass Lock Washer
12	002954-45	Shank Lock Nut
14	150A	Bag of (1) Nut & (1) Tailpiece

Product Specifications:

Deck Mount Workboard Faucet w/ 1/2" NPT Male Shanks,
Less Nozzle, Lever Handles & 4" Inlet Centers

Drawn KJG	Checked JRM	Approved 12/19/07
Scale: NTS		Date: JHB