



T&S BRASS AND BRONZE WORKS, INC.

2 Saddleback Cove / P.O. Box 1088
Travelers Rest, SC 29690



REG. #A2601
ISO #9001

Model No.

B-1110

Item No.

Travelers Rest, SC: 800-476-4103 Simi Valley, CA: 800-423-0150 Fax: 864-834-3518 www.tsbrass.com

This Space for Architect/Engineer Approval

Job Name _____ Date _____

Model Specified _____ Quantity _____

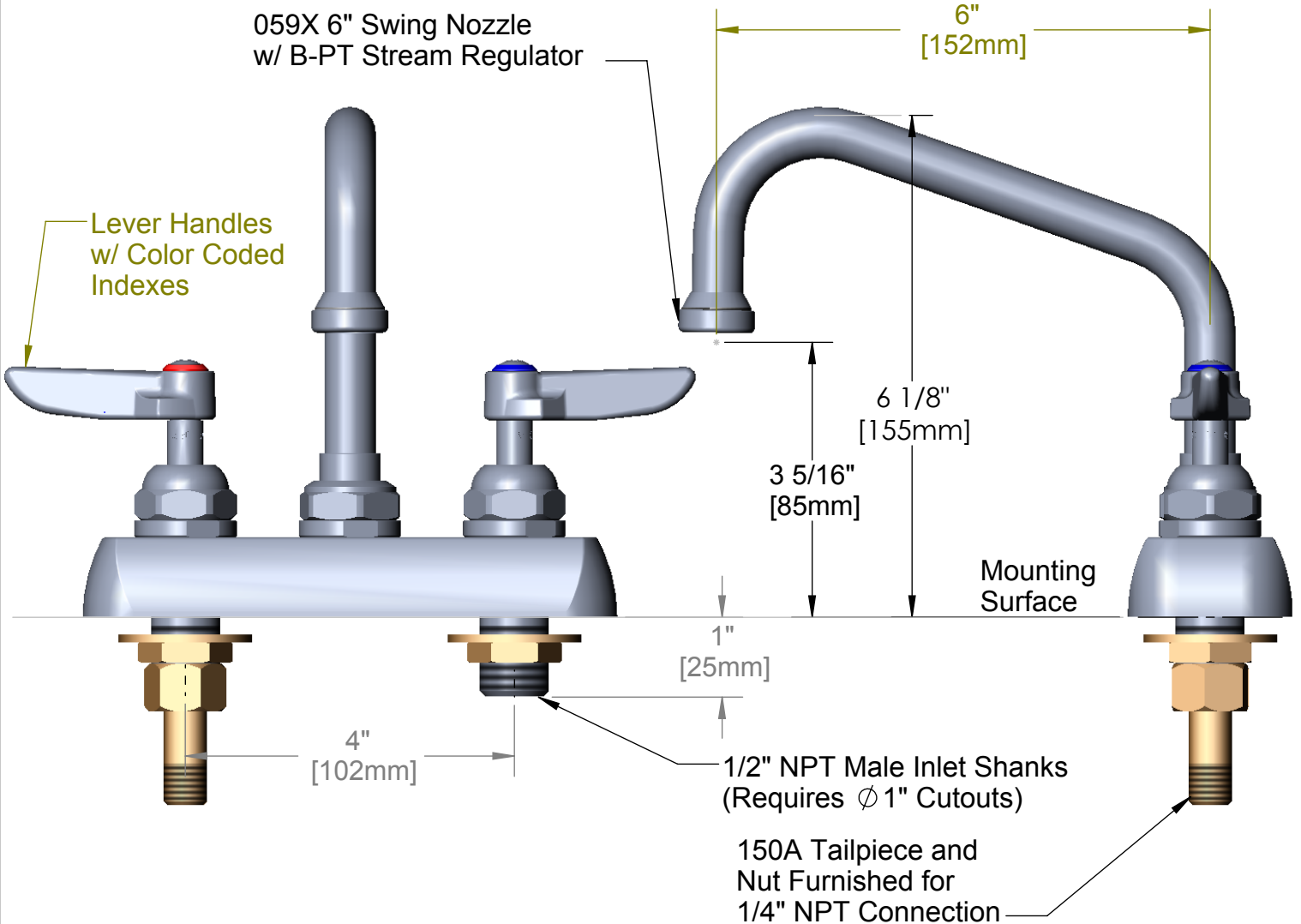
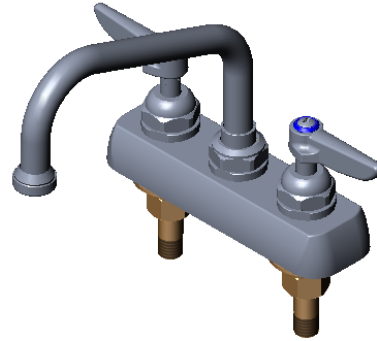
Customer/Wholesaler _____

Contractor _____

Architect/Engineer _____



ADA Compliant



Product Specifications:
Deck Mount Workboard Mixing Faucet w/ 1/2" NPT Male Shanks,
6" Swing Nozzle, B-PT Stream Regulator, Lever Handles, Color
Coded Indexes & 4" Inlet Centers

Drawn
KJG

Checked
JRM

Approved
JHB

Scale:

1:2

Date:

12/19/07



T&S BRASS AND BRONZE WORKS, INC.

2 Saddleback Cove / P.O. Box 1088
Travelers Rest, SC 29690



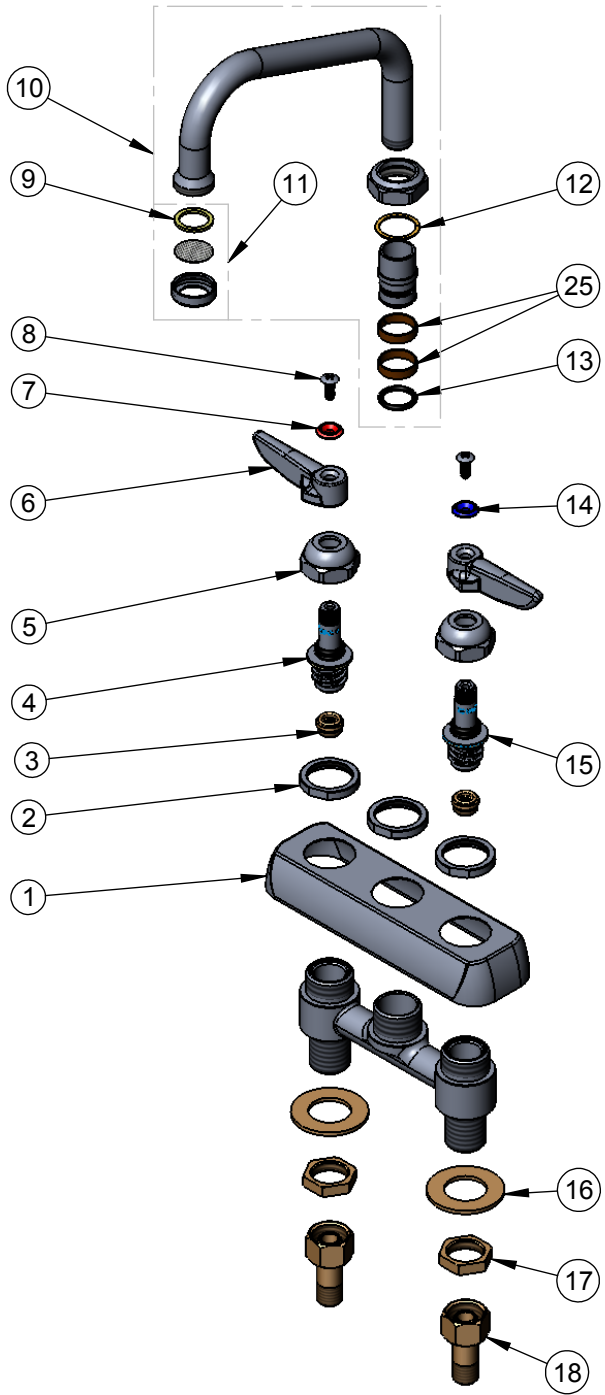
REG. #A2601
ISO #9001

Model No.

B-1110

Item No.

Travelers Rest, SC: 800-476-4103 Simi Valley, CA: 800-423-0150 Fax: 864-834-3518 www.tsbrass.com



ITEM NO.	SALES NO.	DESCRIPTION
1	001258-40	B-1110 Escutcheon
2	000712-25	Escutcheon Lock Nut
3	000763-20	Seat
4	009753-40	B-1100 RH Spindle Assembly
5	009749-25	Bonnet Nut
6	001638-45	Lever Handle
7	001661-45	Red Index-HW
8	000922-45	Lever Handle Screw
9	009638-45	Washer
10	059X	6" Swing Nozzle Assembly
11	B-PT	Stream Regulator
12	009538-45	Swivel Washer
13	001074-45	O-Ring
14	001660-45	Blue Index-CW
15	009754-40	B-1100 LH Spindle Assembly
16	000999-45	Brass Lock Washer
17	002954-45	Shank Lock Nut
18	150A	Bag of (1) Nut & (1) Tailpiece
24	011430-25	Swivel Piece
25	011429-45	Swivel Sleeves (2)

Product Specifications:

Deck Mount Workboard Mixing Faucet w/ 1/2" NPT Male Shanks, 6" Swing Nozzle, B-PT Stream Regulator, Lever Handles, Color Coded Indexes & 4" Inlet Centers

Drawn	Checked	Approved
KJG	JRM	JHB
Scale:	Date:	
1:2	12/19/07	