

T&S BRASS AND BRONZE WORKS, INC.
 2 SADDLEBACK COVE / P.O. BOX 1088 / TRAVELERS REST, SC 29690
 PHONE 800-476-4103 - FAX 864- 834-3518



Model No.

B-1113

**RELIABILITY
BUILT IN**

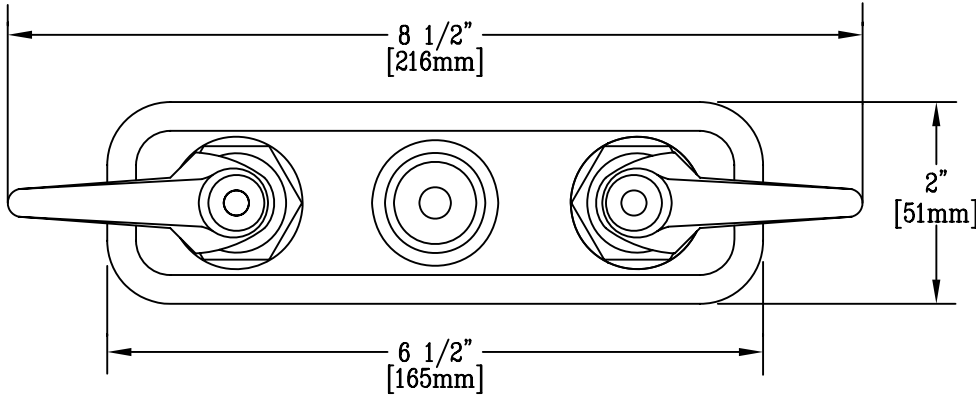
Job Name:

Architect/Engineer Approval:

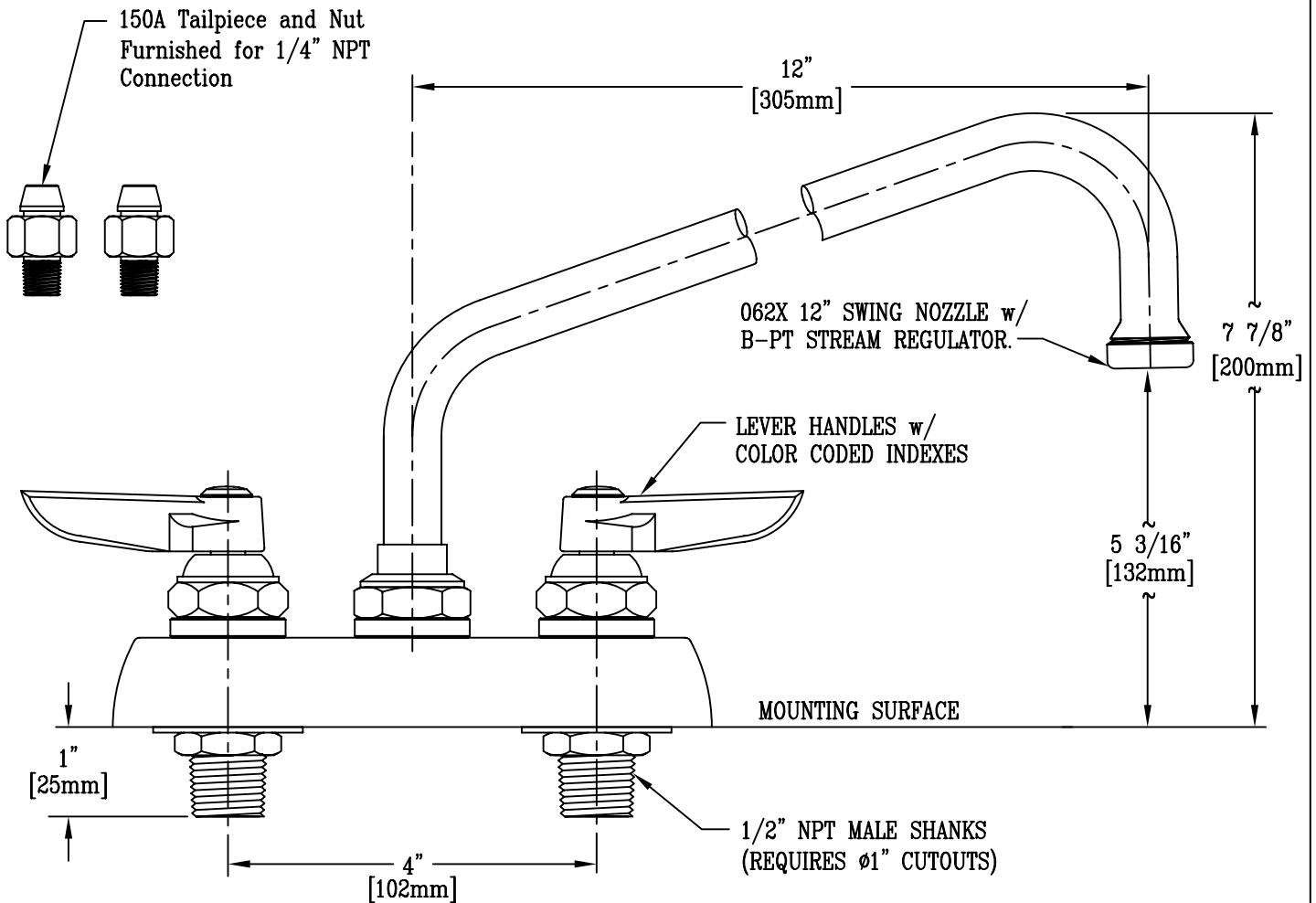
Notes:



ADA Compliant



TOP VIEW



Product Description:
 WORKBOARD FAUCET WITH 1/2" NPT MALE SHANKS,
 4" INLET CENTERS, 062X 12" SWING NOZZLE,
 B-PT STREAM REGULATOR & LEVER HANDLES

Drawn:	Checked:	Scale:
KJG	JRM	1 : 2
Approved:	Date:	
JHB	12/19/07	